


Clearly in control

HEAD of QUEUE

- **Sunlight readable**
- **Low Maintenance**
- **Brightness delivers 200 cd/m² (3 times that of CRT)**
- **Compact**
- **Slim**
- **Better clarity and crispness of picture**
- **IP55 Enclosure**
- **Vandal Proof**
- **No susceptibility to magnetic interference**



Route	Destination	Time Due
82	GARSTON	1.10
82	SPEKE	1.12
82	SPEKE	1.13
82	SPEKE	1.15
222	ALBERT DOCK	1.17
82A	SPEKE	1.19
82	GARSTON	1.20
82	GARSTON	1.22

The head of queue uses the latest in flat panel technology using thin film transistor technology delivering a true resolution of 1280 by 1024 pixels. This new technology for the first time brings on line high resolution graphics for information and is capable of being interleaved with high resolution advertising. Brightness is now five times that of comparable CRT technology and can now allow information systems to be viewed in full sunlight.



HARP

VISUAL COMMUNICATION SOLUTIONS

SPECIFICATION

Video Input Characteristics

VGA to true 1280 by 1024

Composite PAL Video

Video I/P

- RGsB
- or RGBS
- or RGBHV
- or Composite

Environmental

Adjustment

+/- 360° Horizontally

+/- 45° Vertically

Temperature

Operational -10° C to + 40°C

Survivable -25°C to + 65°C

* Units fitted with heaters for operation below +3°C

Humidity

5% to 80% RH at 40°C

Enclosure

IP55

Optional IP65

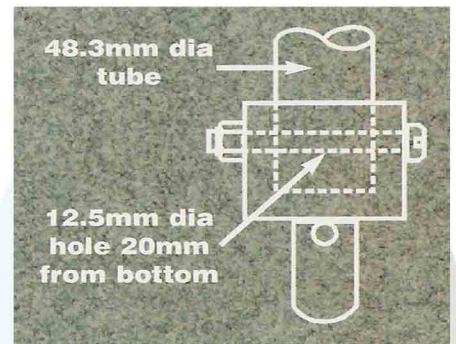
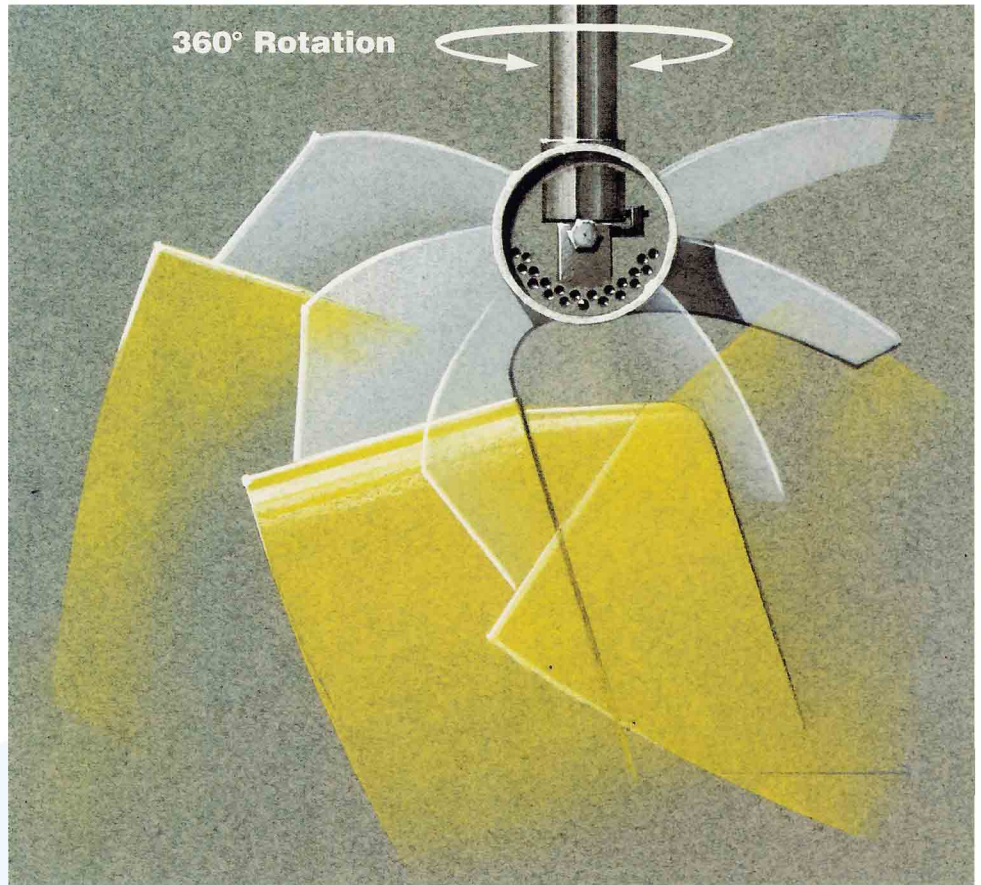
Dimension	18"	21"	29"
Width: mm	460	540	740
Height: mm	388	452	625
Depth: mm	286	320	330
Weight: Kg	18	21	35

Power Requirements

Voltage: 110 to 240 Volts AC

Power Consumption: 70 watts

CE Approved



CONSTRUCTION

The unit front section and mounting mechanism is fabricated from steel whilst the rear cover is constructed from ABS a high impact resistant material. The sacrificial screen comes with three options standard polycarbonate, double side anti-reflective 6mm harden laminated glass or anti-reflective tinted glass. The TFT panel is hinged mounted internally to the shell enabling the TFT to be tilted to the best viewing angle. The hanging bracket is constructed of mild steel and is fitted to the building structure via 10mm tie bolts.



HARP

VISUAL COMMUNICATION SOLUTIONS

Harp Visual Communications Limited
 Unit 7 Swanwick Business Centre
 Bridge Road
 Lower Swanwick
 Southampton
 SO31 7GB

Tel. 01489 580011

Fax. 01489 580022

www.harvisual.com